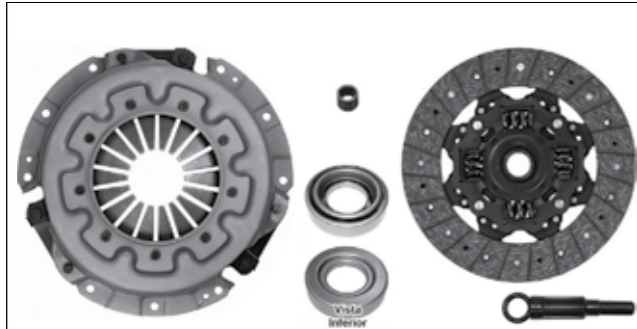


Kit de Clutch



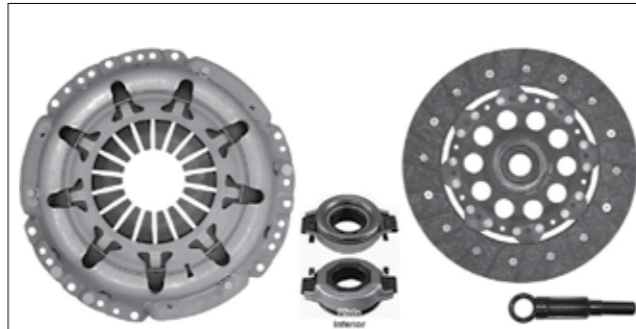
EJ-N24F



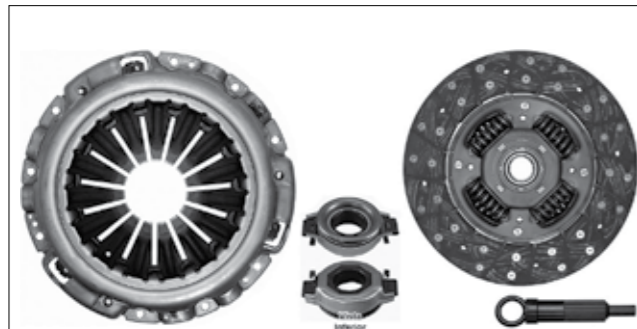
EJ-N24G



EJ-N24H



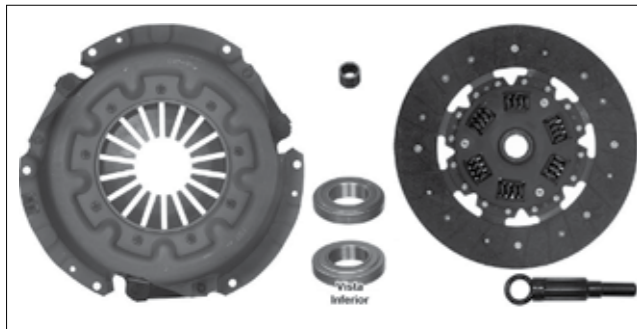
EJ-N24I



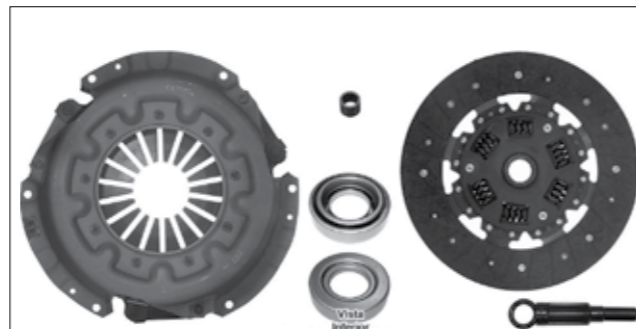
EJ-N24K



EJ-N24L



EJ-N25A



EJ-N25B

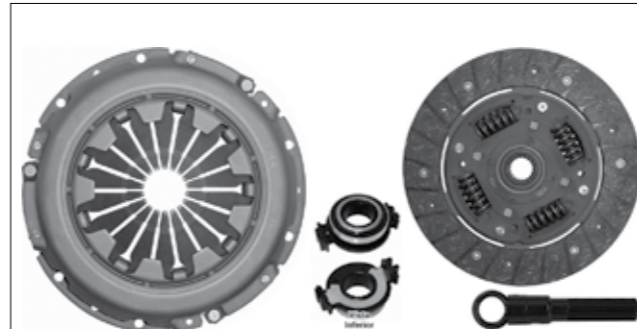
Kit de Clutch



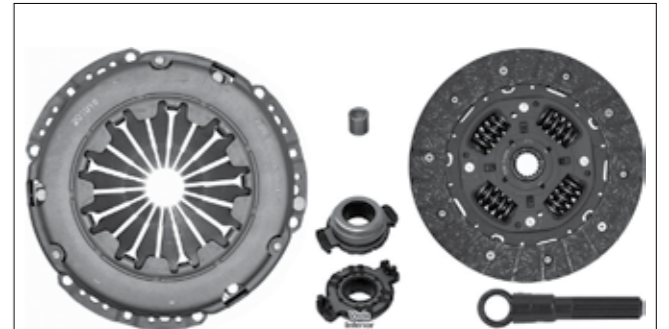
EJ-P18A



EJ-P20A



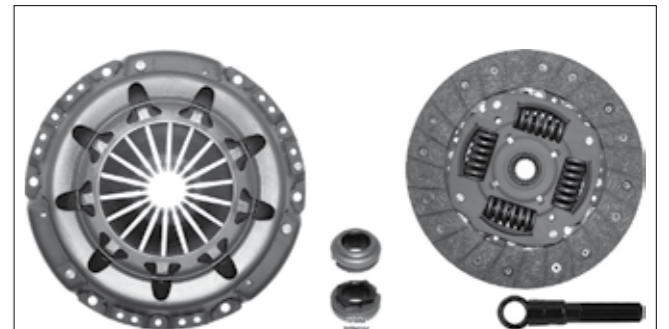
EJ-P20B



EJ-P20D



EJ-P20E



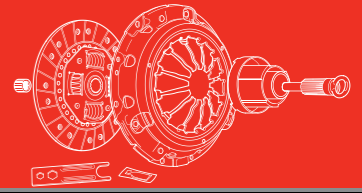
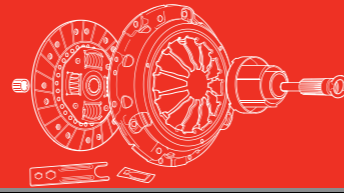
EJ-P23A



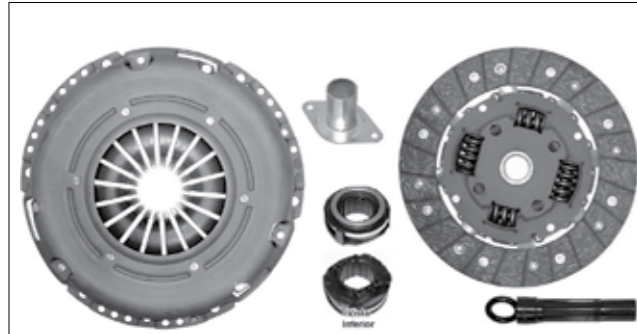
EJ-R22B



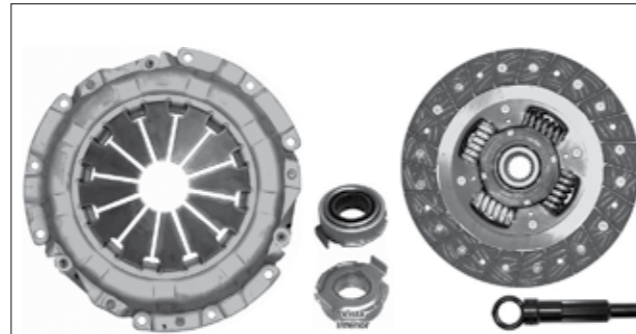
EJ-R24B



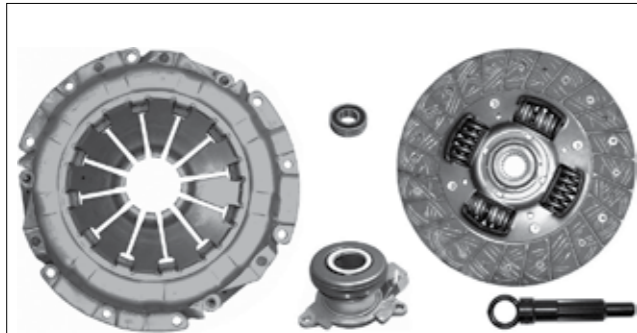
Kit de Clutch



EJ-SE22A



EJ-SU22A



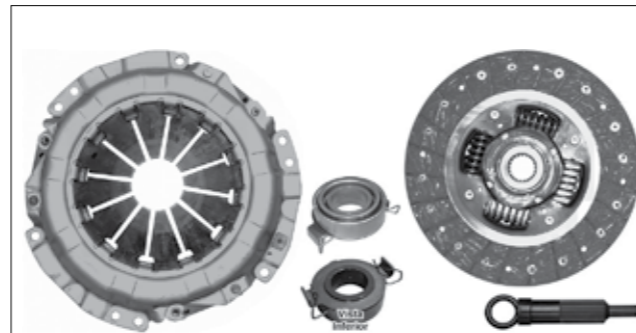
EJ-SU22B



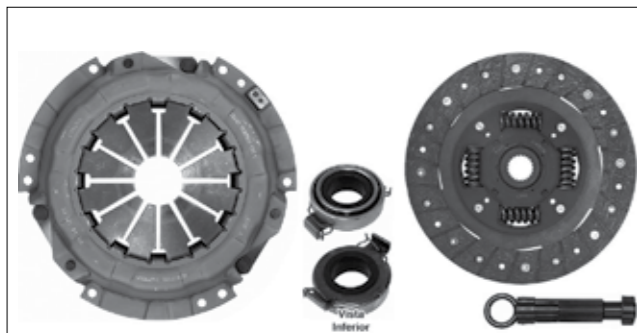
EJ-TY19B



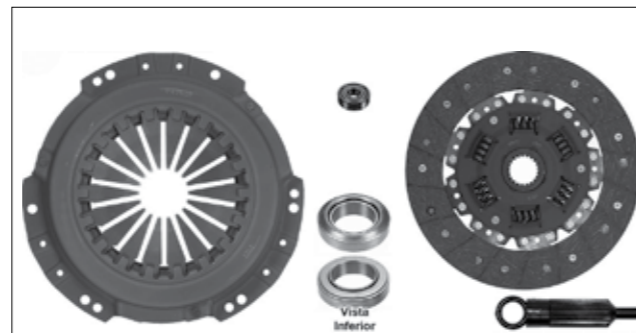
EJ-TY20B



EJ-TY21C

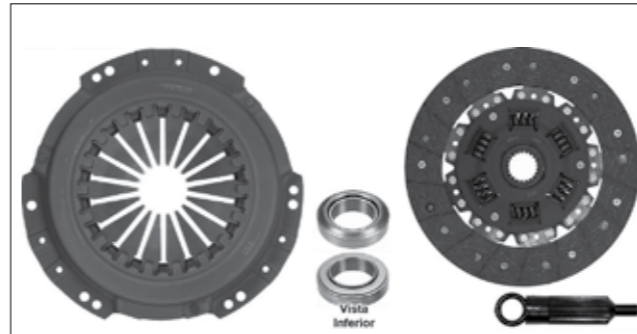


EJ-TY22E

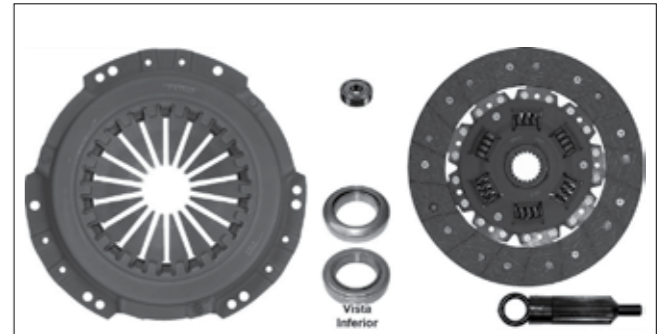


EJ-TY23A

Kit de Clutch



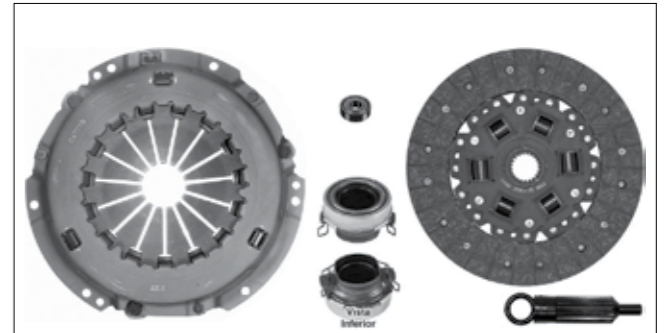
EJ-TY23B



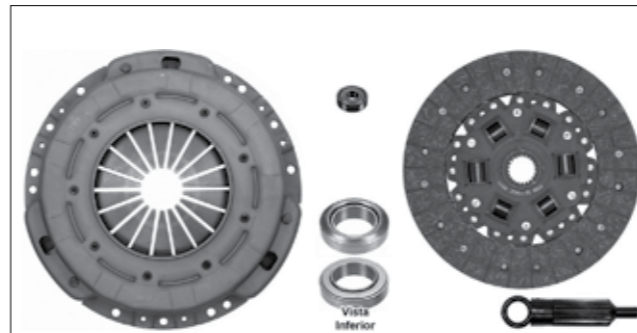
EJ-TY23C



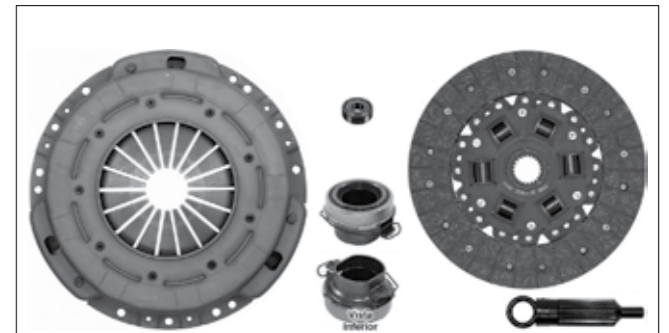
EJ-TY23H



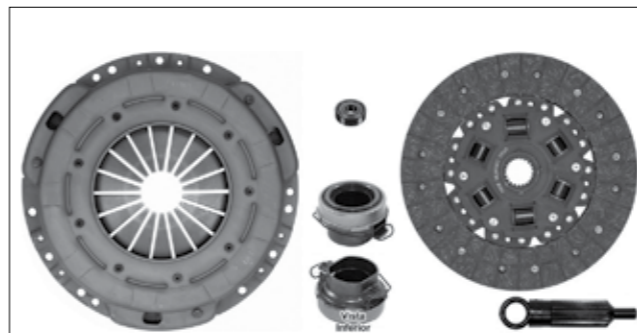
EJ-TY24A



EJ-TY24B



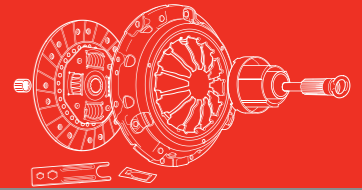
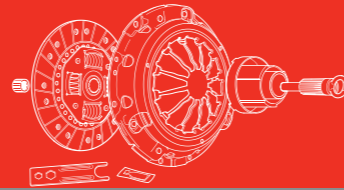
EJ-TY24C



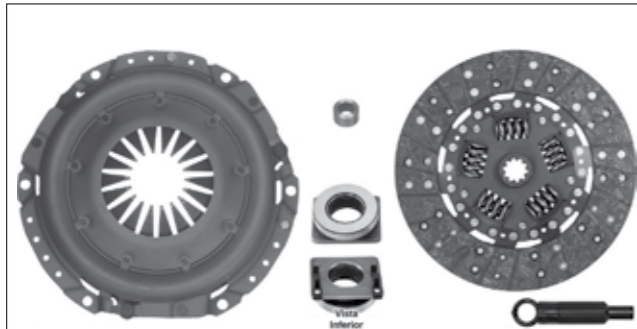
EJ-TY24E



EJ-TY25A



Kit de Clutch



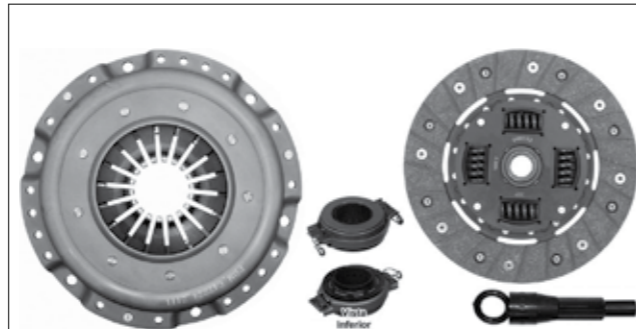
EJ-VA26A



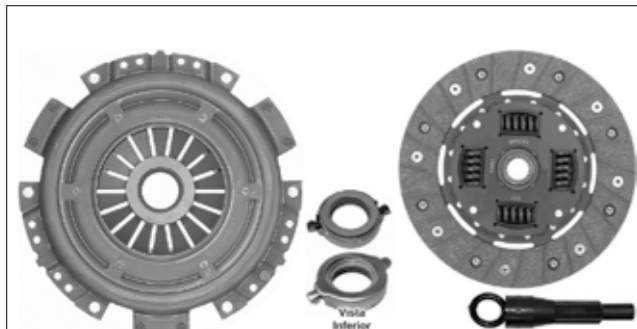
EJ-VW19A



EJ-VW20A



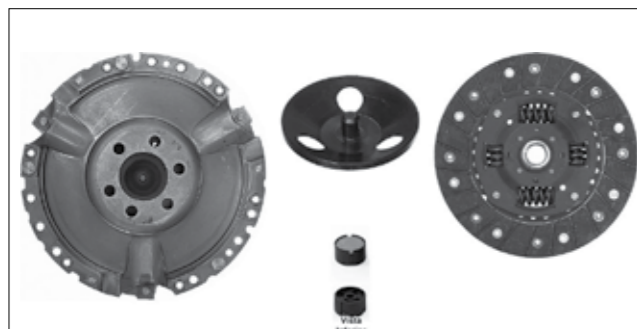
EJ-VW20B



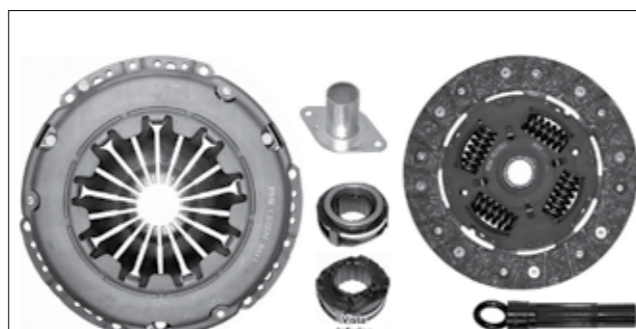
EJ-VW20B2



EJ-VW20C



EJ-VW20D

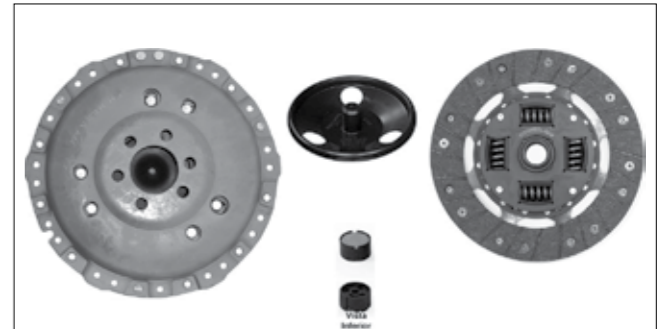


EJ-VW20F

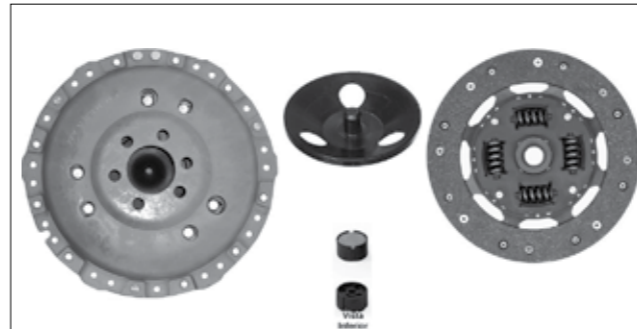
Kit de Clutch



EJ-VW21A



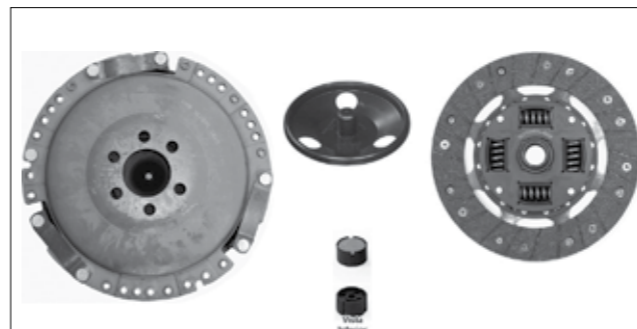
EJ-VW21B



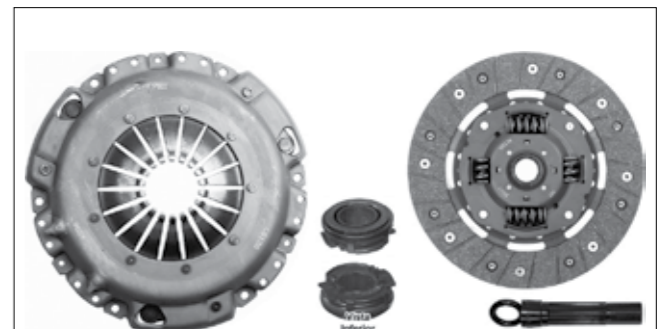
EJ-VW21B2



EJ-VW21C



EJ-VW21D



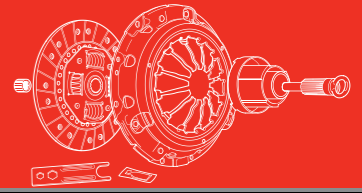
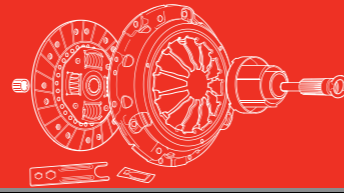
EJ-VW22A



EJ-VW22C



EJ-VW22D



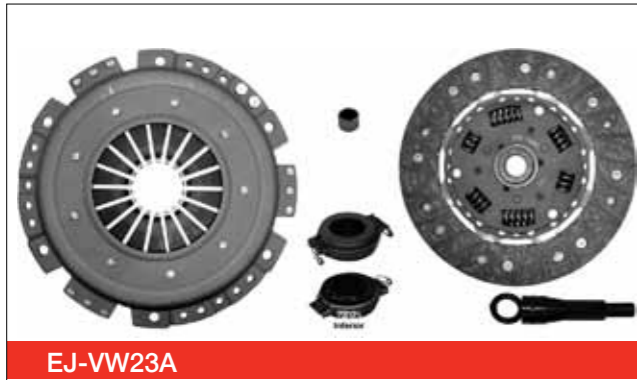
Kit de Clutch



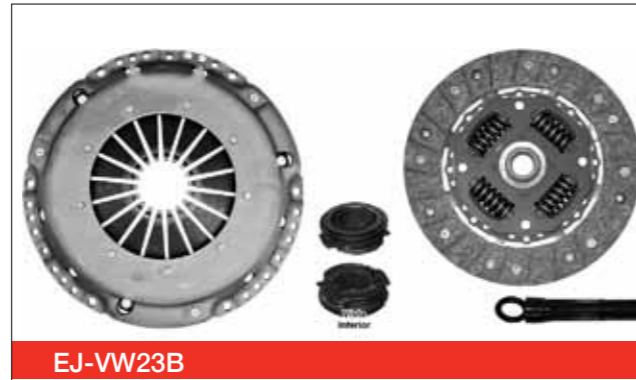
EJ-VW22E



EJ-VW22ES



EJ-VW23A



EJ-VW23B



EJ-VW23E



EJ-VW23G

CSC (Cilindro Esclavo Concéntrico)



EC-D23J



EC-D26A



EC-D26D



EC-D30E



EC-F19A



EC-F19B



EC-F23I



EC-F23J



EC-F23N3



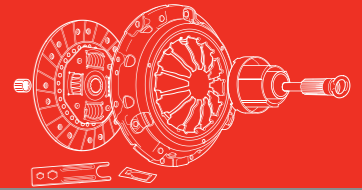
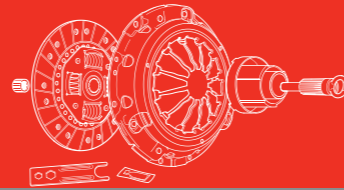
EC-F23P3



EC-F24B



EC-F29A3



CSC (Cilindro Esclavo Concéntrico)



EC-GM20D



EC-GM21F



EC-GM22B



EC-GM23B



EC-GM23K



EC-GM23M



EC-GM23O



EC-GM30G3



EC-GM30H



EC-GM30M



EC-GM31A3



EC-N23H3

Cilindro Esclavo



HE-037215



HE-037341



HE-037364



HE-037365



HE-037398



HE-037399



HE-037478



HE-037487



HE-037493



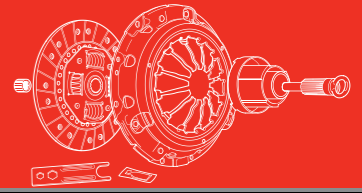
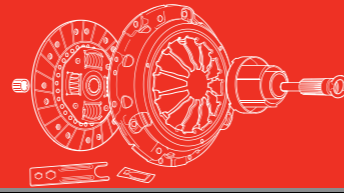
HE-037495



HE-037497



HE-037498

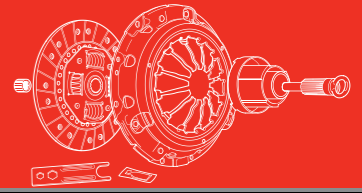
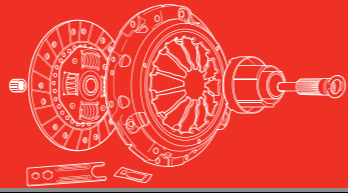


Cilindro Esclavo

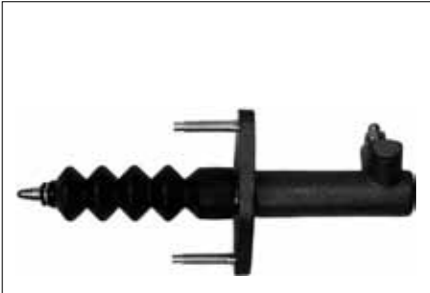


Cilindro Esclavo





Cilindro Esclavo



HE-037815



HE-037816



HE-037817



HE-037818



HE-037821



HE-037826



HE-037828



HE-037831



HE-037833



HE-037834



HE-037835



HE-037836

Cilindro Esclavo



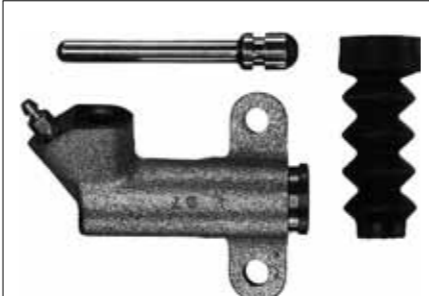
HE-037837



HE-037889



HE-037901



HE-037903



HE-037904



HE-037907



HE-037918



HE-037920



HE-037921



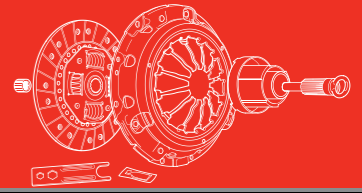
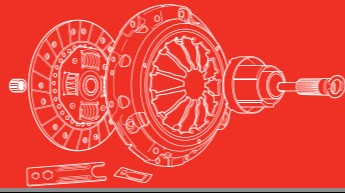
HE-037927



HE-037928



HE-037933

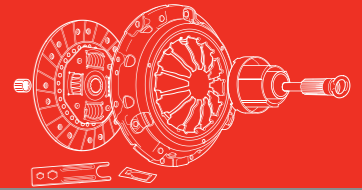
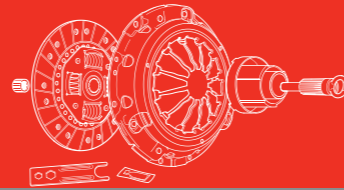


Cilindro Esclavo

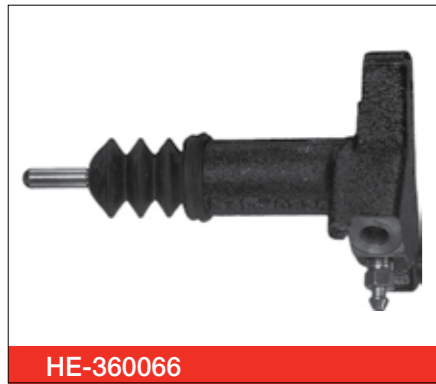
HE-360000	HE-360002	HE-360003
HE-360004	HE-360005	HE-360006
HE-360007	HE-360011	HE-360014
HE-360015	HE-360018	HE-360022

Cilindro Esclavo

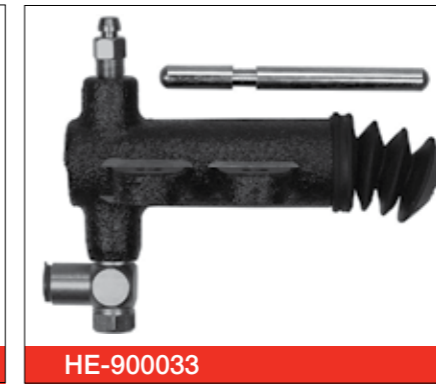
HE-360025	HE-360027	HE-360029
HE-360032	HE-360033	HE-360041
HE-360046	HE-360047	HE-360049
HE-360051	HE-360052	HE-360055

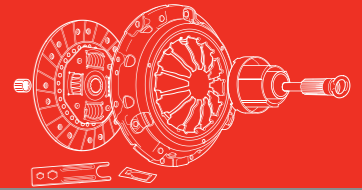
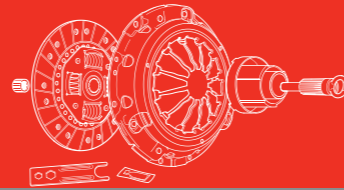


Cilindro Esclavo



Cilindro Esclavo





Cilindro Maestro



HM-036066



HM-039102



HM-039124



HM-039143



HM-039179



HM-039231



HM-039247



HM-039275



HM-039306



HM-039315

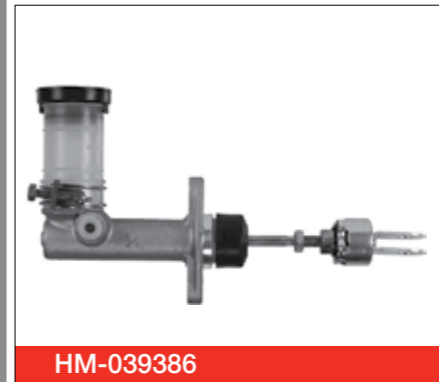


HM-039373

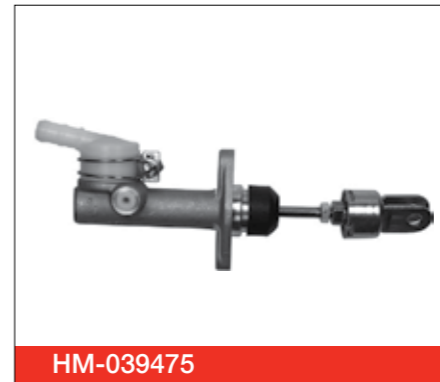


HM-039374

Cilindro Maestro



HM-039386



HM-039475



HM-039488



HM-039560



HM-039569



HM-039573



HM-039582



HM-039605



HM-039607



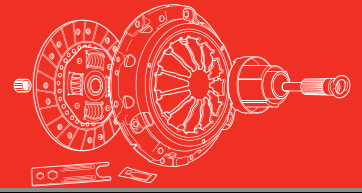
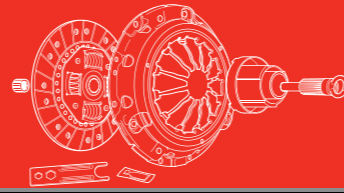
HM-039610



HM-039611



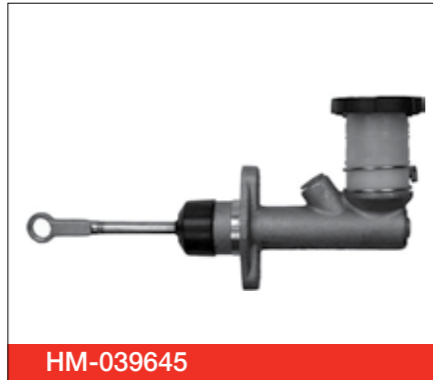
HM-039614



Cilindro Maestro



HM-039644



HM-039645



HM-039681



HM-039683



HM-039687



HM-039715



HM-039718



HM-039719



HM-039723



HM-039730



HM-039731



HM-039732

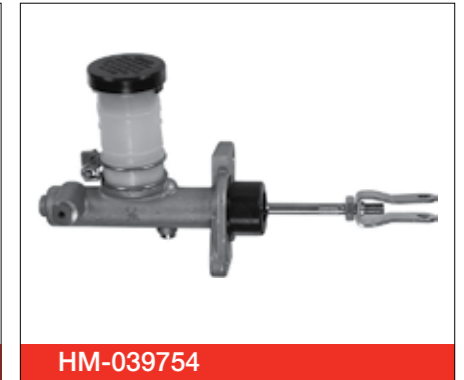
Cilindro Maestro



HM-039738



HM-039747



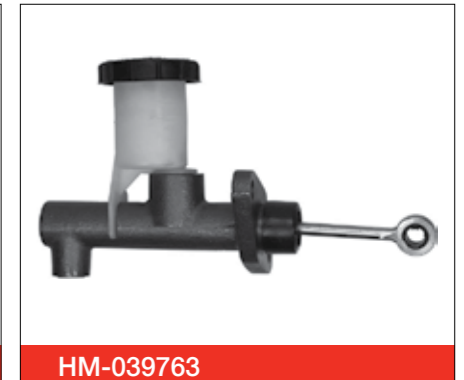
HM-039754



HM-039755



HM-039762



HM-039763



HM-039766



HM-039774



HM-039776



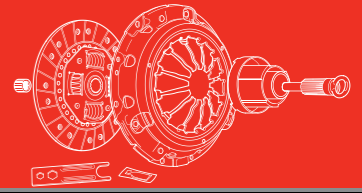
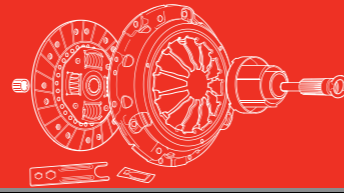
HM-039781



HM-039794



HM-039802

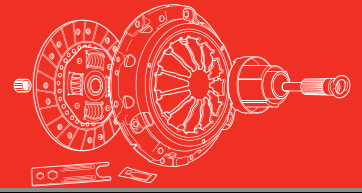
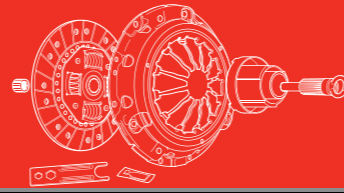


Cilindro Maestro

HM-039803	HM-039804	HM-039813
HM-039820	HM-039821	HM-039823
HM-039828	HM-039832	HM-039834
HM-039836	HM-039837	HM-039838

Cilindro Maestro

HM-039840	HM-039894	HM-039895
HM-039896	HM-039903	HM-039904
HM-039906	HM-039908	HM-039909
HM-039913	HM-039926	HM-039929

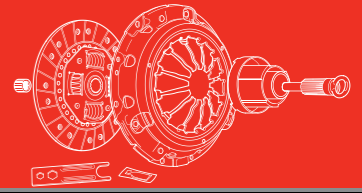
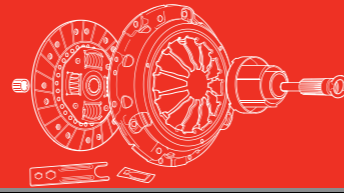


Cilindro Maestro

HM-039930	HM-039931	HM-039933
HM-039934	HM-039937	HM-040001
HM-040002	HM-040004	HM-040005
HM-040006	HM-040007	HM-040008

Cilindro Maestro

HM-040009	HM-350002	HM-350004
HM-350005	HM-350007	HM-350009
HM-350014	HM-350015	HM-350021
HM-350026	HM-350028	HM-350030



Cilindro Maestro



HM-350031



HM-350032



HM-350033



HM-350035



HM-350037



HM-350038



HM-350044



HM-350049



HM-350054



HM-350055



HM-350058



HM-350061

Cilindro Maestro



HM-350062



HM-350065



HM-350067



HM-350070



HM-350074



HM-350080



HM-350082



HM-350086



HM-350087



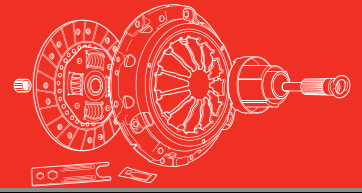
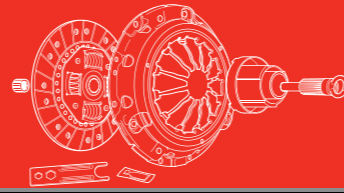
HM-350088






HM-350089




HM-350090

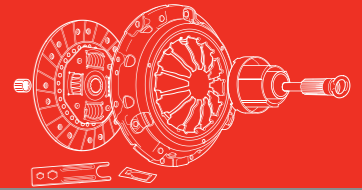
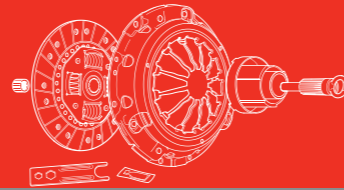


Cilindro Maestro








 IMAGEN NO DISPONIBLE HM-350099	 IMAGEN NO DISPONIBLE HM-350104	 IMAGEN NO DISPONIBLE HM-350105
 IMAGEN NO DISPONIBLE HM-350109	 IMAGEN NO DISPONIBLE HM-350110	 IMAGEN NO DISPONIBLE HM-350112
 IMAGEN NO DISPONIBLE HM-350113	 IMAGEN NO DISPONIBLE HM-350119	 IMAGEN NO DISPONIBLE HM-350123
 IMAGEN NO DISPONIBLE HM-350125	 IMAGEN NO DISPONIBLE HM-350128	 IMAGEN NO DISPONIBLE HM-350134

Cilindro Maestro








 IMAGEN NO DISPONIBLE HM-350135	 IMAGEN NO DISPONIBLE HM-350142	 IMAGEN NO DISPONIBLE HM-350152
 IMAGEN NO DISPONIBLE HM-350167	 IMAGEN NO DISPONIBLE HM-350172	 IMAGEN NO DISPONIBLE HM-350177
 IMAGEN NO DISPONIBLE HM-350182	 IMAGEN NO DISPONIBLE HM-350227	 IMAGEN NO DISPONIBLE HM-800001
 IMAGEN NO DISPONIBLE HM-800006	 IMAGEN NO DISPONIBLE HM-800012	 IMAGEN NO DISPONIBLE HM-800016

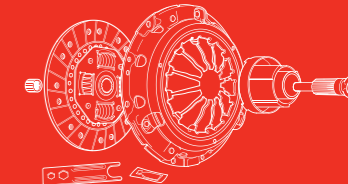
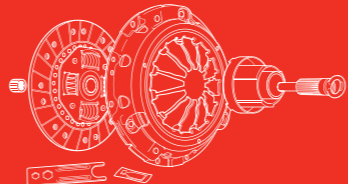


Cilindro Maestro

 IMAGEN NO DISPONIBLE HM-800017	 IMAGEN NO DISPONIBLE HM-800019	 IMAGEN NO DISPONIBLE HM-800029
 IMAGEN NO DISPONIBLE HM-800043	 IMAGEN NO DISPONIBLE HM-800047	 IMAGEN NO DISPONIBLE HM-800048
 IMAGEN NO DISPONIBLE HM-800049		

Sistema de Preenado

 IMAGEN NO DISPONIBLE HJ-000150	 IMAGEN NO DISPONIBLE HJ-000501	 IMAGEN NO DISPONIBLE HJ-000860
 IMAGEN NO DISPONIBLE HJ-001381	 IMAGEN NO DISPONIBLE HJ-003021	 IMAGEN NO DISPONIBLE HJ-006390
 HJ-009000	 HJ-009002	 IMAGEN NO DISPONIBLE HJ-009003
 HJ-009004	 HJ-009005	 HJ-009006



Cilindro Maestro



HJ-009008



HJ-009012



HJ-009013



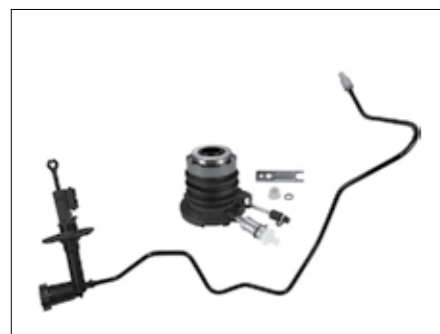
HJ-009014



HJ-009015



HJ-009016



HJ-009017



HJ-009018



HJ-009055



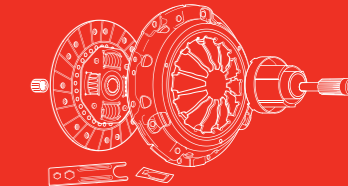
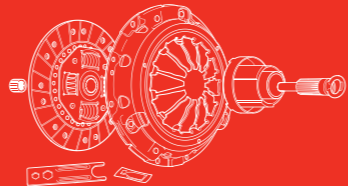
HJ-009057



HJ-009157

LISTA DE EQUIVALENCIAS

Kit Clutch	Referencias		Kit Clutch	Referencias		Kit Clutch	Referencias	
EJ-D18B	618 3084 00	K260033-01	EJ-D30A	628 1742 00	KM11064-01	EJ-F24D	624 2345 33	K70125-01
EJ-D20C	620 2886 00	KF621-06		630 1743 00	KM10993-01		624 3140 33	K311901-01
EJ-D21E	622 3034 00		EJ-D30C	630 0848 00	KM 5473-02	EJ-F24E	600 0109 00	
EJ-D21F	622 3052 00		EJ-D30E	630 3017 33	K70145-01	EJ-F25D	625 2890 00	K70160-02
EJ-D22A	622 0694 00	K0050-01	EJ-D30F	630 3016 33	K70145-01	EJ-F25D3	625 2890 33	
EJ-D22C	622 2355 00	K70131-01		630 3047 00		EJ-F25E	625 3009 00	K0116-02
EJ-D22F	621 3031 00	K70304-01	EJ-D30H	630 3048 00		EJ-F25E3	625 3009 33	
EJ-D22G	622 3200 00			630 3037 00		EJ-F25F	625 3017 00	
EJ-D23A	623 0703 00	K0066-01	EJ-D31A	631 2363 00		EJ-F25G	625 3020 00	
EJ-D23B	623 1500 00	K70297-01	EJ-D31A3	631 2363 33		EJ-F25J	625 3013 00	
EJ-D23D	623 2144 00	K70132-01	EJ-D31C	631 3110 00		EJ-F25K	625 3025 00	
EJ-D23F	623 2752 00		EJ-D33C	633 1744 09	KM0087-02	EJ-F25K3	625 3025 33	
EJ-D23G		K70058-01	EJ-D33D	633 1745 00	KM11001-02	EJ-F27A	627 2159 00	K0048-01
EJ-D23H	600 0115 00	K70058-01	EJ-D33G ó EJ-D33GC*	600 0106 00		EJ-F28A4	628 0723 00	K0465-05
EJ-D23I	623 2787 00		EJ-F18B	618 3079 00		EJ-F28B	628 0732 00	KM173-01
EJ-D23J	623 1727 33	K0117-01	EJ-F18C	618 2126 33	K62487-01	EJ-F28E	628 3021 00	
EJ-D23K	623 2143 00		EJ-F19A	619 2428 33	K1121-01	EJ-F28F	628 3027 00	
EJ-D23M	623 1577 33	K1914-03	EJ-F19B	619 3045 33	K9563-01	EJ-F28G	628 3030 00	
EJ-D23N	623 2162 00	K0063-03	EJ-F20A	620 3078 00		EJ-F28H	628 3052 00	
EJ-D23O	623 2788 00		EJ-F20B	620 1724 00	K1122-01	EJ-F28J	628 3056 00	
	623 2789 00		EJ-F21C	622 1505 00		EJ-F28K	628 3057 00	
EJ-D23P	623 3061 00	K70340-01	EJ-F21D	625 1722 00		EJ-F28L	628 3202 00	
EJ-D23R	623 3374 00		EJ-F22A	622 0696 00	K0036-01	EJ-F29B	628 1196 00	K70130-01
EJ-D23T	623 3129 00		EJ-F22B	622 0725 10	K0036-02		629 1725 00	
EJ-D23U	623 3177 00		EJ-F22H	622 3219 33	K70260-01	EJ-F29C ó EJ-F29CE*	629 2348 00	K70160-01
EJ-D23V	623 3185 00	K70297-01	EJ-F22I	622 3047 00		EJ-F29C3 ó EJ-F29CE3*	629 2348 33	
EJ-D23X	623 2885 00		EJ-F22J	622 3081 33	K9568-01	EJ-F30B	630 2349 00	K70153-01
EJ-D24A	600 0112 00	K70344-01	EJ-F23C	623 2343 00	K70189-01	EJ-F30C	631 3046 00	
EJ-D24E	624 3196 00	K633302-01	EJ-F23D ó EJ-F23DE*	623 2570 00	K70154-02	EJ-F30D	630 3051 00	
	624 3217 00			623 2574 00	K70368-01			
EJ-D26A	626 3005 33		EJ-F23D3 ó EJ-F23DE3*	623 2570 33		EJ-F31A	631 3109 00	K70102R-01
EJ-D26B	626 3007 33	K-1890-04		623 2574 33		EJ-F31B ó EJ-F31BE	630 3060 00	K70277R-01
EJ-D26C	626 3012 00		EJ-F23F	623 2819 60		EJ-F31C ó EJ-F31CE	631 2576 00	K70278R-01
EJ-D26D	627 1580 33		EJ-F23H	623 3375 00		EJ-F31D	630 3024 00	
EJ-D26F	627 3006 00		EJ-F23I	623 3060 33	K40702-01	EJ-F33F	633 3028 00	K70241-01
EJ-D26G	626 3023 00		EJ-F23J	623 3364 33	K286032-01	EJ-F33G	633 3037 11	
EJ-D27J	627 2792 00		EJ-F23N	623 2797 00	K0047-05	EJ-F33H	633 3063 00	
EJ-D28A	628 0719 00	KM1433-02	EJ-F23N3	623 2797 33		EJ-FI20A	620 3206 00	
EJ-D28B	628 0718 00	KM5473-02	EJ-F23P	623 2887 00	K0047-06	EJ-GE20A	620 1721 60	K1117-01
EJ-D28D	628 0721 00		EJ-F23P3	623 2887 33		EJ-GE20C	620 3030 00	K70240-1
EJ-D28F	628 0867 00	K70082-01	EJ-F23Q	623 2803 60	K0047-07	EJ-GM19A	619 2340 00	KM80203-01
		KM0087-02	EJ-F23Q3	623 2803 33		EJ-GM19D	619 3056 00	K632701-01
EJ-D28L		K1877-06				EJ-GM20C	620 2175 00	K6508-01
EJ-D28P	628 0693 00		EJ-F23S	623 2888 00	K0047-04			
EJ-D29A	630 3031 00	K70144-02	EJ-F24C	624 2344 33	K70124-01			

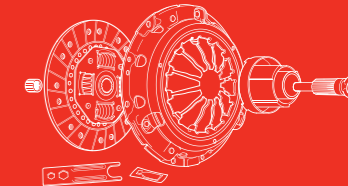
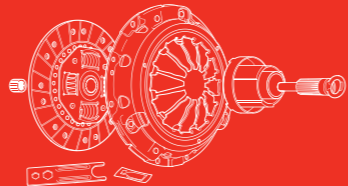


LISTA DE EQUIVALENCIAS

Cilindro Esclavo	Equipo Original	Referencias			
HE-037541	30620T8020	512 0315 10	SC37541	F103424	
HE-037563	UA0141920	512 0299 10			
HE-037568	21521116300		SC37568	F103451	
HE-037606	3147025031		SC37606		
HE-037627	3062048P60	512 0134 10	SC37627		
HE-037629	G70641920A			F103479	
HE-037630	3147012030	512 0320 10	SC37630	F103453	
HE-037680	3062010G00	512 0149 10	SC37680		
HE-037681	3062009G00	512 0311 10	SC37681		
HE-037682	3147026060	512 0317 10	SC37682		
HE-037683	30620D3600	512 0349 10	SC37683		
HE-037699	3147010010	512 0322 10		F103752	
HE-037701	3147012042	512 0268 10	SC37701	F103464	
HE-037702	3147017011	512 0323 10	SC37702		
HE-037703	3147022090		SC37703		
HE-037723	E7SZ7A508A		SC37723		
HE-037725	E3TZ7A564C	SFE-474	512 0109 10	SC37725	F103474
HE-037728	15534378		512 0274 10	SC37728	
HE-037745	E3TZ7A564A	SFE-476	512 0110 10	SC37745	103476
HE-037789	10026326			F103469	
HE-037790	15616091		512 0292 10	F103492	
HE-037791	15615868		512 0271 10	SC37791	
HE-037792	J3241868			F103458	
HE-037793	52000070		512 0298 10	SC37793	F103460
HE-037795	10035044			F103482	
HE-037796	15594144			SC37796	
HE-037815	15616089		512 0272 10	SC37815	F103762
HE-037816	15580493			SC37816	
HE-037817	MD733228		512 0285 10	SC37817	
HE-037818	46930SF1003			SC37818	F103775
HE-037821	10074135	SFE-869	512 0101 10	SC37821	126869
HE-037826	MD710317			SC37826	
HE-037828	GJ2241920A		512 0300 10	SC37828 / SC37934	F103768
HE-037831	4171024060		512 0284 10	SC37831	
HE-037833	8943193150		512 0294 10	SC37833	F124279
HE-037834	8943891960		512 0295 10		F124277
HE-037835	3062026		512 0313 10	SC37835	F103493
HE-037836	UC8641920		512 0304 10		
HE-037837	UB3941920		512 0303 10	SC37837	
HE-037889	46930SM4003		512 0293 10	SC37889	F103713
HE-037901	F1CZ7A508B		512 0166 10	SC37901	
HE-037904	HE2941920B		512 0301 10		
HE-037907	UE3841920		512 0305 10	SC37907	
HE-037918	MD733623		512 0286 10	SC37918	

LISTA DE EQUIVALENCIAS

Cilindro Esclavo	Equipo Original	Referencias			
HE-037920	MD728992		512 0282 10	SC37920	
HE-037921	MD733339				
HE-037926	3147017022				
HE-037927	3147017040		512 0324 10		
HE-037928	306200Z800		512 0308 10	SC37928	
HE-037933	3147012090		512 0329 10	SC37933	F103791
HE-037937	357721261				
HE-360000	10111667	SGE-871	512 0104 10	SC360000	126871
HE-360002	22535541	SGE-870	512 0103 10	SC360002	126870
HE-360003	53009157	SCE-877	512 0097 10	SC360003	126877
HE-360004	4471381	SCE-878	512 0098 10	SC360004	126878
HE-360005	15965939	SGE-874	512 0107 10	SC360005	126874
HE-360006	MB670290				
HE-360007	MD742157		512 0280 10	SC360007	
HE-360011	0K20141920		512 0327 10	SC360011	
HE-360014	F3TZ7A564A	SFE-891	512 0113 10	SC360014	
HE-360015	F4TZ7A564A	SFE-892		SC360015	F126892
HE-360018	GA2A41920			SC360018	F126731
HE-360022	3147033020			SC360022	F126678
HE-360025	46930SR3013		512 0129 10	SC360025	F126769
HE-360027	15679652	SGE-872	512 0105 10	SC360027	126872
HE-360028	NA0141920B		512 0302 10	SC360028	
HE-360029	21120167	SGE-875	512 0316 10	SC360029	F126875
HE-360032	94370778		512 0296 10	SC360032	
HE-360033	8970408661		512 0297 10	SC360033	F140334
HE-360041	4171022650			SC360041	F129876
HE-360046	53006390	SCE-881	512 0100 10	SC360046	126881
HE-360047	52104110			SC360047	
HE-360049	93233942	SGE-873	512 0276 10	SC360049	126873
HE-360051	52087601			SC360051	F130546
HE-360052	12551434	SGE-022	512 0119 10	SC360052	F132010
HE-360055	3147035120		512 0326 10	SC360055	F131482
HE-360068	3147035130			SC360068	
HE-360075				SC360075	
HE-360082	21521158903				
HE-360084	52107717			SC360084	
HE-360085	52107721	SCE-050	512 009310	SC360085	
HE-360091	0K01141920A			SC360091	
HE-360093			512 0151 10		
HE-360096				SC360096	
HE-360108	F81Z7A564AA	SFE-530		SC360108	F134504
HE-360109	F81Z7A564BA	SFE-121		SC360109	
HE-360114	30620-4Z000		512 0165 10		
HE-900029	4668331AB	SCE-440			F140223



LISTA DE EQUIVALENCIAS

210

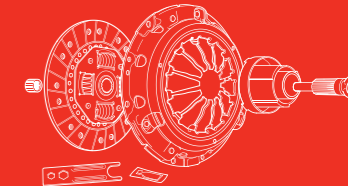
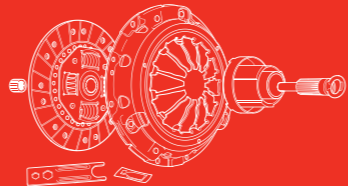
Cilindro Esclavo	Equipo Original	Referencias			
HE-900032	251721263				
HE-900050	F7CZ 7A508 AC, BTAB-41-920B				
HE-900097	8971383450				

Cilindro Maestro	Equipo Original	Referencias			
HM-025517				CMA25517	
HM-036066	5463098			CMA36066	F32839
HM-039102	30610J7500			CMA39102	F105908
HM-039143	3141014271			CMA39143	
HM-039179		511 0246 10	CMA39179/CMA39751	CM106003	
HM-039214	8944977				F116430
HM-039231	940245120				F107150
HM-039244				CMA39244	
HM-039247	46920671003				F105998
HM-039275	30610P6500	511 0126 10	CMA39275		
HM-039296	3141014080	511 0239 10	CMA39296		
HM-039315	3141020421	511 0185 10	CMA39315		
HM-039373	859341400		CMA39373		
HM-039374	G70141400		CMA39374	F107142	
HM-039378	21521154180		CMA39378	F107389	
HM-039386	MB012030	511 0199 10	CMA39386		
HM-039475	MB012629	511 0198 10		F108152	
HM-039488	E07Z7A542A	511 0228 10	CMA39488	F105999	
HM-039560	E3TZ7A543A	SFM-710	511 0083 10	CMA39560	F110710
HM-039569	E9UA 7C522 CA	SFM-054	511 0072 10	CMA39569	
HM-039573	E3TZ7A543B	SFM-270	511 0076 10	CMA39573	F110270
HM-039582	MB012030		511 0199 10		
HM-039605	3061001G11		511 0235 10	CMA39605	
HM-039607	3061015R00		511 0347 10		
HM-039610	3142028070				
HM-039611	13644000	511 0242 10		F118390	
HM-039614	3141014142		CMA39614		
HM-039644	53004466	511 0225 10	CMA39644		
HM-039645	53004467	511 0223 10	CMA39645	F113830	
HM-039660	21521154580			F116662	
HM-039681	3142010013	511 0247 10		F113926	
HM-039683	3141035083		CMA39683		
HM-039687	3141012072	511 0241 10	CMA39687	F103282	
HM-039715	F65Z7A543AD	SGM-398	511 0061 10	CMA39715	116398
HM-039723	52000068		511 0221 10	CMA39723	F108211
HM-039730	15594142	SGM-117	511 0060 10	CMA39730	110117
HM-039731	15616092		511 0193 10		
HM-039732	15615867		511 0191 10	CMA39732	F110273

LISTA DE EQUIVALENCIAS

211

Cilindro Maestro	Equipo Original	Referencias			
HM-039738	53001163		511 0222 10		F110267
HM-039747	3141012200		511 0218 10	CMA39747	F118506
HM-039754	3061040F50			CMA39754	
HM-039755	30610510		511 0232 10	CMA39755	
HM-039762	MB012660		511 0204 10		F117367
HM-039763	10147953		511 0171 10		
HM-039766	MB555133		511 0203 10	CMA39766	F120141
HM-039774	3061002Y51				F116355
HM-039776	3061030P51		511 0126 10	CMA39776	
HM-039781	46920SF1A02			CMA39781	F116286
HM-039794	8943155593			CMA39794	
HM-039802	E92Z7A543A		511 0205 10	CMA39802	F116379
HM-039804	8972010070		511 0220 10	CMA39804	F118501
HM-039813	15616090	SGM-009		CMA39813	
HM-039820	F7CZ7A543AA		511 0136 10	CMA39820	
HM-039823	LA01419900		511 0229 10		F119149
HM-039831	857721401A			CMA39831	F110271
HM-039832	251721401A			CMA39832	F107145
HM-039833				CMA39833	
HM-039834	46920SD4305		511 0128 10		F115649
HM-039836	46920SM4A01		511 0219 10	CMA39836	F120275
HM-039837	E9SZ7A543A	SFM-140	511 0075 10	CMA39837	F120140
HM-039838	F1TZ7A543B	SGM-360	511 0184 10	CMA39838	F116360
HM-039840	357721401			CMA39840	
HM-039894	E8TZ7A543C	SFM-053	511 0071 10	CMA39894	F117053
HM-039895	E7SZ7A543A	SFM-378	511 0078 10		
HM-039896	ZZL041923A	SFM-470	511 0080 10	CMA39896	F124470
HM-039903	46920SR3AO1			CMA39903	
HM-039904	F7TZ7A543AA	SFM-662	511 0082 10	CMA39904	
HM-039906	3141016040		511 0249 10	CMA39906	F126762
HM-039908	3141033012			CMA39908	
HM-039909	MB555274		511 0200 10		
HM-039913	UB9341400B		511 0227 10	CMA39913	
HM-039929	22577750	SGM-848	511 0140 10	CMA39929	126848
HM-039930	94853249			CMA39931	
HM-039931			511 0254 10	CMA39931	
HM-039933	306101E420		511 0230 10	CMA39933	F131456
HM-039934	3141034012			CMA39934	
HM-039937	GE4T41990C		511 0206 10	CMA39937	
HM-040001	90523769		511 0120 10		
HM-040004	140322		511 0121 10		
HM-040005	XS61 7A543 AB		511 0010 10		
HM-040006	2S617A543AC		511 0353 10		
HM-040007	30610-5M007		511 0335 10		



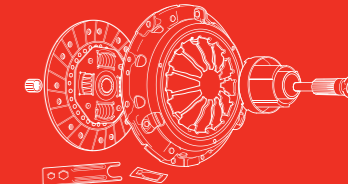
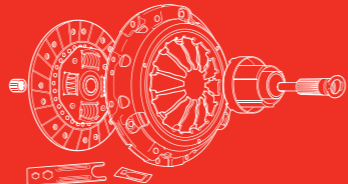
LISTA DE EQUIVALENCIAS

Cilindro Maestro	Equipo Original	Referencias			
HM-040008	6K1 721 401		511 0337 10		
HM-040009	6K0 721 388 A				
HM-350002	MB555277		511 0005 10	CMA350002	F123710
HM-350004			511 0251 10	CMA350004	
HM-350005	4636864		511 0224 10	CMA350005	
HM-350007	4636865			CMA350007	
HM-350009	3141035271		511 0252 10	CMA350009	F118508
HM-350014	12559912	SGM-090	511 0053 10	CMA350014	F132009
HM-350015	21120268	SGM-0858	511 0238 10	CMA350015	
HM-350021	53006996	SCM-861	511 0202 10	CMA350021	
HM-350024	10046529	SGM-847	511 0180 10		126847
HM-350026	22545713	SGM-849	511 0063 10	CMA350026	126849
HM-350028	22568230	SGM-852	511 0064 10	CMA350028	126852
HM-350030	10163834	SCE-076	511 0188 10	CMA350030	
HM-350032	F3TZ7A543A	SFM-887	511 0088 10	CMA350032	126887
HM-350033	F2TZ7A543D	SFM-886	511 0087 10	CMA350033	F126886
HM-350035	F2TZ7A543C	SFM-884	511 0085 10	CMA350035	126884
HM-350037	F2TZ7A543A	SFM-883	511 0084 10	CMA350037	126883
HM-350038		SGM-857	511 0066 10	CMA350038	F126857
HM-350044		SCM-862	511 0040 10	CMA350044	126862
HM-350049	53006390	SCE-881	512 0100 10	CMA350049	
HM-350051	22534983		511 0236 10		
HM-350052		SGM-052	511 0052 10		
HM-350054	F2TZ7A543E	SFM-579	511 0081 10	CMA350054	
HM-350055	F2TZ7A543G	SFM-578	511 0217 10	CMA350055	F130578
HM-350058	52087600	SCM-863	511 0003 10	CMA350058	130545
HM-350061	22586989				F130542
HM-350062	15659911	SGM-539	511 0062 10	CMA350062	F130539
HM-350067	1H1721401				F129861
HM-350070	F87Z7A543AA	SFM-005	511 0263 10	CMA350070	131855
HM-350074	52107625			CMA350074	F133439
HM-350080	22638609	SGM-015	511 0051 10	CMA350080	
HM-350082	3061070F00		511 0130 10		F131354
HM-350086	MB910562		511 0261 10	CMA350086	F131895
HM-350087	MB911650		511 0259 10	CMA350087	
HM-350088	15740930	SGM-010	511 0048 10	CMA350088	F133507
HM-350089	12550240	SGM-090	511 0053 10	CMA350089	F131892
HM-350090	F5RZ7A543A		511 0153 10	CMA350090	
HM-350091	NA0141400		511 0255 10	CMA350091	F119895
HM-350104	52107657AB	SCM-090		CMA350104	F133747
HM-350105	15051973	SGM-011	511 0049 10	CMA350105	F134329
HM-350110				CMA350110	
HM-350112	52107620AB	SCM-103		CMA350112	
HM-350113	04883517AC	SCM-199		CMA350113	

LISTA DE EQUIVALENCIAS

Cilindro Maestro	Equipo Original	Referencias			
HM-350119				CMA350119	
HM-350123				CMA350123	
HM-350125	12560678	SGM-102	511 0056 10	CMA350125	134605
HM-350128	0K01A41990A			CMA350128	F134534
HM-350134	XL3Z7A543AA	SFM-019	511 0070 10	CMA350134	F131853
HM-350135	F81Z7A543FA	SFM-108	511 0074 10	CMA350135	F134514
HM-350142				CMA350142	
HM-350152		SCM-132		CMA350152	
HM-350167	YL8Z7A543AC			CMA350167	
HM-350172	12572804	SGM-137	511 0016 10	CMA350172	
HM-350177	1J1 721 388 A		511 0151 10		
HM-350182	12385527	SGM-097	511 0054 10	CMA350182	
HM-800001	46930-S5A013		511 0343 10		
HM-800012	5359822		511 0253 10		F106439
HM-800019	1F8041990	SFM-105			
HM-800029	30610-4Z000		511 0164 10		
HM-800047	4668631AD	4668631AD	513 0064 10		
HM-800049	YS4Z7A543AA		511 0176 10		F122469

Prellenado	Equipo Original	Referencias			
HJ-000150	F3TA 7C52 2DA	F3TA-7C522-DA	513 0028 10		
HJ-000501	4711501	4711501	513 0002 10		
HJ-000860	15979860	15979860	513 0048 10		
HJ-001381	4471381	4471381	513 0001 10		
HJ-006390	53006390	53006390	513 0017 10		
HJ-009000		SGM-859	511 0238 10		
HJ-009003		SGM-857	511 0066 10		
HJ-009004		12385321	513 0038 10		
HJ-009005	F5TA-7C522-CA	F5TA-7C522-CA	513 0029 10		
HJ-009006	YC35-7C522-DA	YC35-7C522-DA	513 0033 10		
HJ-009007		SFM-886	511 0087 10		
HJ-009008		SFM-470	511 0080 10		
HJ-009012		SFM-883	511 0084 10		
HJ-009013		SFM-270	511 0076 10		
HJ-009014		SFM-887	511 0088 10		
HJ-009015		SFM-578	511 0217 10		
HJ-009016	F2TZ-7A543-G	F37A-7A543-CB	511 0027 10		
HJ-009017		SFM-887	511 0088 10		
HJ-009020	52104110 / 19183427	52104110			
HJ-009021	EOUS 7C52 2BA	F0US-7C522-BA	513 0021 10		
HJ-009051		12385318	513 0037 10		
HJ-009055		SFM-005			
HJ-009056		SFM-005	511 0263 10		
HJ-009057	1L55-7A543-AA	F57A-7A543-AD	511 0031 10		
HJ-009157	53009157	53009157	513 0019 10		



POLIZA DE GARANTÍA

MAYOREO DE AUTOPARTES Y ACEITES S. A. de C. V., garantiza que sus productos cumplen con las normas de materiales y mano de obra requeridos dentro del proceso de fabricación y empaque. Nuestra garantía cubre 1 año o 40,000km, lo que ocurra primero, a partir de su instalación previendo un uso normal, acorde a las especificaciones del fabricante del vehículo, así como una correcta instalación debiendo reemplazar el disco, plato, collarín y buje o balero piloto (donde aplique) y el volante de motor sea rectificado según las especificaciones del fabricante según espesor y/o altura de caja (donde aplique), o en caso necesario reemplazado. **MAYOREO DE AUTOPARTES Y ACEITES S. A. de C. V.**, se reserva el derecho de aceptar o rechazar la garantía del producto previo dictamen correspondiente por parte de su departamento técnico. Esta garantía no cubre costos de mano de obra y/o gastos derivados (ejemplo: grúa, etc.), ni aplica cuando el número de Kit no corresponda al vehículo donde se instaló o cuando presente alguna de las condiciones descritas como causas de exclusión en la parte baja de esta póliza. Esta garantía en caso de ser validada por el departamento técnico de **MAYOREO DE AUTOPARTES Y ACEITES S. A. de C. V.**, solo cubre el reemplazo físico del Kit, por otro Kit del mismo número de parte reclamado. Todo Kit de clutch que sea reclamado en garantía deberá de ser regresado con todas y cada una de sus partes independiente del estado de cada una, a la refaccionaria o establecimiento donde fue adquirido o en su defecto con un distribuidor autorizado de **MAYOREO DE AUTOPARTES Y ACEITES S. A. de C. V.**, especificando debidamente la fecha de instalación y llenando el formato de reclamación de garantía (FR60TE) proporcionado por el distribuidor autorizado **CARTEK[®]** en el que se deberá de dar una descripción detallada del síntoma que presenta el producto. Para cualquier aclaración o duda, favor de comunicarse al departamento de Asistencia Técnica al teléfono **01-800-836- 1456 ó 01-800-CARTEKS**, o bien vía correo electrónico a asistecnica@perfmex.com donde será atendido.



CONTAMINACIÓN CON ACEITE O GRASA

Un plato o disco contaminado con grasa o aceite de algún retén de cigüeñal defectuoso o flecha de mando lubricada en exceso, ocasiona fallas como la trepidación (temblor) o el patinado del clutch.



CONTAMINACIÓN CON ACEITE O GRASA

Un plato o disco contaminado con grasa o aceite de algún retén de cigüeñal defectuoso o flecha de mando lubricada en exceso, ocasiona fallas como la trepidación (temblor) o el patinado del clutch.



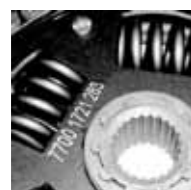
DAÑO/DESGASTE EXCESIVO EN EL ESTRIBADO DEL DISCO

El desgaste en la flecha de mando y/o la instalación forzada de la transmisión ocasionan daños en el estriado de la maza del disco.



PRESENCIA DE ÓXIDO EN ALGÚN COMPONENTE

Producto almacenado y expuesto a humedad en exceso, sufre alteraciones que inciden de forma considerable el mal funcionamiento del producto y reduce su vida útil.



LOGOTIPOS O NÚMEROS DE EQUIPO ORIGINAL

Perfección no distribuye platos, discos o collarines con logotipos o números de equipo original en el mercado de repuestos mexicano.



ENVÍO DE PRODUCTO INCOMPLETO

Es indispensable contar con cada uno de los componentes del Kit (plato, disco y collarín) para poder dar trámite a la recepción de producto bajo reclamación de garantía.



FALTA DE DESCRIPCIÓN DE SÍNTOMAS O FALLAS

A todo producto reclamado por garantía se le debe adjuntar un documento que describa cuál es la falla por la cual está siendo solicitada.

BOLETÍN

ALTERNATIVAS A KITS DE CLUTCH AUTOAJUSTABLES MÁXIMA DURABILIDAD A UN COSTO COMPETITIVO

Las Vehículos de trabajo hoy en día requieren productos de recambio que brinden durabilidad, confort pero principalmente un mejor costo beneficio al del promedio del mercado. Por esa razón, **MAYOREO DE AUTOPARTES Y ACEITES S. A. de C. V.**, desarrolló un Kit de Clutch para unidades que son sometidas diariamente a severas condiciones de trabajo.

Algunos de los beneficios de las alternativas "No autoajustables" son:

- Se instalan con mayor facilidad.
- No se requieren herramientas especiales.
- Mayor rendimiento.
- Relación "costo-beneficio" superior.
- Se elimina la complejidad y costo del sistema de autoajuste.
- Durante su instalación y vida útil no sufre desajuste por desgaste o falla de componentes internos.
- Sensación de manejo/pedal similar al producto de equipo original.

Guía rápida de referencia:

Número de parte	Accionamiento	Referencia
EJ-D33G / EJ-D33GC	Collarín mecánico	600 0106 00
EJ-F23DE	Balero p/CSC	623 2570 00 623 2574 00
EJ-F23DE3	CSC	623 2570 33 623 2574 33 623 3161 33
EJ-F29CE	Balero p/CSC	629 2347 00 629 2348 00
EJ-F29CE3	CSC	629 2347 33 629 2348 33
EJ-F31BE	Collarín mecánico	630 3060 00
EJ-F31CE	Collarín mecánico	631 2576 00
EJ-GM30FE3	CSC	630 3012 33
EJ-GM30GE3	CSC	630 3015 33
EJ-GM30HE	CSC	630 3029 33



EJ-D33GC

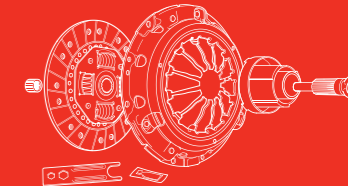
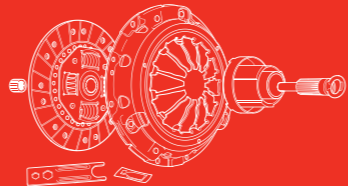
Dodge RAM 4000 5.9L TDI / 6.7L
Versión NO autoajustable / DISCO CERAMÉTICO
Desarrollado para unidades con modificación en el eje de transmisión de fuerza o toma de potencia: grúas, plataformas, pipas, etc.



EJ-F31BE

Ford F-350 XL Súper Duty 5.4L Triton 5Vel.
Versión NO autoajustable

Los Kits de Clutch **CARTEK[®]**, en Versión NO Autoajustable cumplen con los requerimientos de Calidad de Equipo Original y cuentan con una Garantía contra defectos de fabricación de 1 Año ó 40,000Km a partir de la fecha de su instalación.



KIT DE CONVERSIÓN DE CLUTCH CON VOLANTE DE DOBLE MASA A CLUTCH CON VOLANTE SÓLIDO EXCELENTE CONFORT A UN COSTO COMPETITIVO

MAYOREO DE AUTOPARTES Y ACEITES S. A. de C. V., desarrolló un Kit que cumple las exigencias de durabilidad y confort a un precio competitivo y que al mismo tiempo satisface la expectativa de los conductores más exigentes. Esta es otra solución inteligente de CARTEK[®] para cubrir las crecientes necesidades del mercado de repuestos en México.

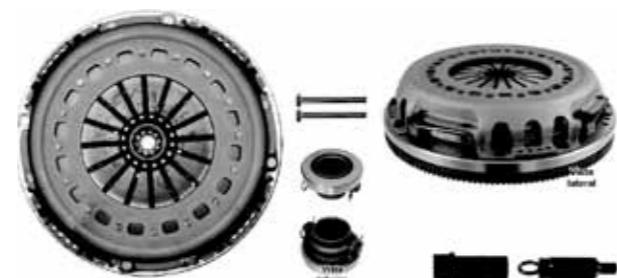
Los kits de clutch con conversión a volante sólido de CARTEK[®] cumplen con los requerimientos de calidad de equipo original. Cuentan con una garantía contra defectos de fabricación de 1 año ó 40,000 km a partir de la fecha de su instalación.

Guía rápida de referencia:

Número de parte	Accionamiento	Referencia
EJ-D33G / EJ-D33GC	Collarín mecánico	600 0106 00
EJ-F30ES	Collarín mecánico	600 0105 00
EJ-FN23HE3	CSC	600 0059 00
EJ-VW22ES	Collarín mecánico	601 0013 00 600 0114 00

Algunos de los beneficios de los kits de conversión a volante sólido con respecto a los kits con volante de doble masa son:

- Mayor rendimiento.
- Relación "costo-beneficio" superior.
- Mayor duración bajo condiciones de manejo severas.



EJ-D33GC
Dodge RAM 4000 5.9L TDI / 6.7L
Versión NO autoajustable / DISCO CERAMÉTICO
Desarrollado para unidades con modificación en el eje de transmisión de fuerza o toma de potencia: grúas, plataformas, pipas, etc.



EJ-D30ES
Ford F-350 V8 7.3L TDI 1987-94
Conversión a volante sólido



EJ-VW22ES
Seat Ibiza; VW Golf/Beetle/Jetta; Audi A3 L4 1.8L Turbo
Conversión a volante sólido / Versión NO autoajustable

GUÍA DE ESPECIFICACIÓN DE VOLANTES DE INERCIA

Volantes de caja

Número de parte	Profundidad (milímetros)
EJ-D18B	15.1
EJ-D23D	7.6
EJ-D23P	7.6
EJ-F22J	10.8
EJ-F23C	7.2
EJ-F23I	7.1
EJ-F24B	12.1
EJ-F24C	7.1
EJ-F31B	15
EJ-F31BE	15
EJ-F33H	3.2
EJ-FI20A	8.8
EJ-GM19A	2.1
EJ-GM20C	19.1
EJ-GM21A	19.6
EJ-GM21F	19.2
EJ-GM22D	2.1
EJ-GM22F	19.3
EJ-GM23O	19.3
EJ-GM23K	19.1
EJ-GM23L	20
EJ-GM23M	19.2
EJ-GM23N	19.1
EJ-GM23P	18.9
EJ-GM24B	19.2
EJ-H19A	2.7
EJ-H21A	15.6
EJ-H21B	1.6
EJ-H21C	1.7
EJ-H23A	1.7
EJ-SE22A	0.75
EJ-VW19A	21.2
EJ-VW20A	21
EJ-VW20B	21
EJ-VW21A	23.4
EJ-VW21B	23.5
EJ-VW21B2	23.4
EJ-VW22A	10.9
EJ-VW22D	23.5
EJ-VW23A	24.5
EJ-VW23B	12.4
EJ-VW23E	12.4

Volantes de escalón

Número de parte	Altura (milímetros)
EJ-H22B	2.8
EJ-N18A	0.13
EJ-N19A	0.18
EJ-N20D	0.5
EJ-MA24A	0.5
EJ-MA25A	0.5
EJ-P20D	0.5
EJ-P18A	0.5
EJ-TY22E	0.5
EJ-TY25A	0.5

Revise el volante de inercia cada vez que cambie el clutch. Si presenta fisuras o daños graves en su superficie (Fig. 1) debe cambiarlo. Si presenta poco desgaste, pequeños surcos o pequeños puntos duros, el volante puede rectificarse con la reserva de que si ya se ha rectificado mucho, podría quedar demasiado delgado y eso generará problemas de "No corte".



Fig. 1

Si decide rectificar el volante atienda los siguientes puntos:

1. Revise la superficie con una escuadra y asegúrese de que la pista del volante no esté cóncava o convexa (Fig. 2). Un volante cóncavo o convexo genera problemas de patinado y/o trepidación.

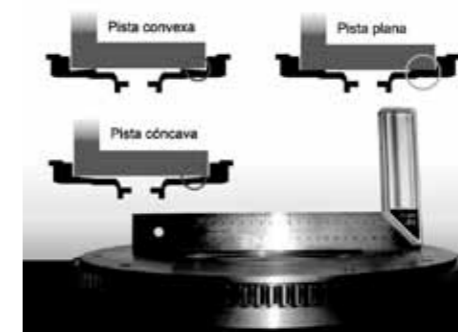
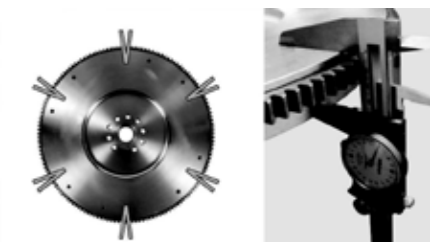


Fig. 2

2. En volantes planos revise que el espesor sea uniforme tomando medidas en al menos 6 puntos (Fig. 3) para poder descartar que el volante haya estado mal asentado al momento de rectificar y así evitar problemas de patinado y/o trepidación.



SUPERFICIE DE CONTACTO DESALINEADA

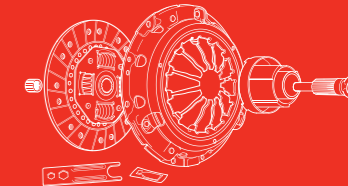
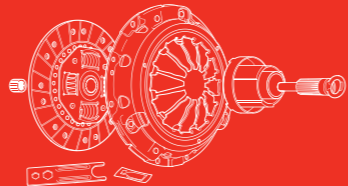
Fig. 3

3. En volantes de escalón o de caja, revise con ayuda de un calibrador de profundidad que la medida corresponda a la de las tablas de especificación incluidas en esta hoja (Fig. 4)



Fig. 4

3. En volantes de inercia tipo caja o escalón revise que el espesor del volante sea uniforme de la misma forma en que lo haría con un volante plano. Después corrobore de la misma forma que la profundidad en la caja o la altura del escalón sea también uniforme (tome 6 puntos) (Fig. 3 y 4).



RECOMENDACIONES PARA EL MANEJO E INSTALACIÓN DE CILINDROS ESCLAVOS CONCÉNTRICOS (CSC)

En algunos Cilindros Esclavos Concéntricos (CSC es la abreviatura por sus siglas en inglés: "Concentric Slave Cylinder"), es importante atender las siguientes recomendaciones para su manejo e instalación para así evitar daños y fallas en el sistema de accionamiento hidráulico. El no seguirlas podría generar roturas y/o problemas de fugas y por consecuencia el "No corte" en el Sistema de Clutch.

1. Nunca presione el rodamiento sobre su guía (Fig.1) antes de ser instalado en la transmisión ya que esa acción puede dañar el sello interno del CSC cuando se realiza sin líquido de frenos, lo que puede provocar fugas de líquido.



Fig. 1

2. Antes de instalar el CSC en la transmisión, limpie la parte interna de la campana. Después en los autos y modelos que aplique, cambie el sello (O ring) que va colocado en la transmisión en la parte donde asienta el CSC, así evitará fugas de líquido de frenos y/o de la transmisión

Al instalar y fijar el CSC, especialmente en vehículos GM Corsa, Meriva, Tornado y Astra, coloque y apriete los tres tornillos de fijación a mano hasta tope, asegurándose que el CSC asiente uniforme en la transmisión y después apriete los tornillos a 10 Nm (7.35 lb-ft)

3. Antes de conectar la tubería de alimentación de líquido de frenos al CSC verifique que el sello (O ring) que está en el extremo de conexión se encuentre en buenas condiciones. De no ser así reemplázelo.

¡ATENCIÓN!

Es muy importante verificar que no hayan quedado residuos del sello anterior en el interior de la línea, ya que podrían obstruir el flujo de líquido de frenos en el sistema en uno o ambos sentidos haciendo que se acumule la presión, lo cual podría causar fugas y/o fracturas en el cuerpo del CSC.

TECHnovationTM
Clutch Hydraulics

Se instala más fácil y rápido usando la tubería existente

¡No requiere herramientas especiales!

GUÍA DE MANEJO E INSTALACIÓN PARA CILINDRO ESCLAVO CONCÉNTRICO (CSC) **TECHnovation**[™] Clutch Hydraulics

Los CSC Technovation[®] son totalmente compatibles con los CSC de equipo original, tanto en su fijación sobre la transmisión como en su conexión con la tubería de alimentación.

Para reemplazar un CSC Technovation[®] siga los siguientes pasos:

1. Desconecte la tubería de alimentación del CSC utilizando la herramienta de desconexión como se muestra en la figura 1.

Evite dañar el cople metálico de la tubería de alimentación.



Fig. 1



Fig. 2

2. Al conectar la línea de alimentación al CSC Technovation[®] verifique que la tubería esté en buenas condiciones. Retire el cople de plástico blanco y el sello (o-ring) y limpie perfectamente el conector de la tubería.

3- Instale el nuevo cople de plástico y el sello (o-ring) que se muestran en la figura 2, en la tubería de alimentación del vehículo. Estos componentes vienen incluidos en los productos CARTEK[®].

4. Inserte la tubería de alimentación en el cople Tech-link[®] del CSC hasta que esté seguro de que sus componentes se hayan acoplado correctamente (Figuras 3 y 4).



Fig. 3



Fig. 4

¡No retire el clip de sujeción durante el acoplamiento!

En futuros servicios, para desconectar la tubería de alimentación de un CSC Technovation[®] solo retire el clip de sujeción y desacople.

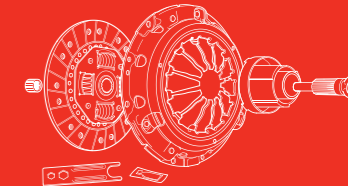
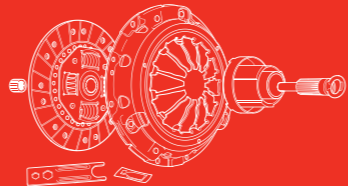


TABLA DE CONVERSIONES

PULGADAS A MILÍMETROS

PULGADAS		
FRACCIÓN	MILÉSIMAS	MILÍMETROS
1/64"	0.016	0.397
1/32"	0.031	0.794
3/64"	0.047	1.191
1/16"	0.063	1.588
5/64"	0.078	1.984
3/32"	0.094	2.381
7/64"	0.109	2.778
1/8"	0.125	3.175
9/64"	0.141	3.572
5/32"	0.156	3.969
11/64"	0.172	4.366
3/16"	0.188	4.763
13/64"	0.203	5.159
7/32"	0.219	5.556
15/64"	0.234	5.953
1/4"	0.250	6.350
17/64"	0.266	6.747
9/32"	0.281	7.144
19/64"	0.297	7.541
5/16"	0.313	7.938
21/64"	0.328	8.334
11/32"	0.344	8.731

PULGADAS		
FRACCIÓN	MILÉSIMAS	MILÍMETROS
23/64"	0.359	9.128
3/8"	0.375	9.525
25/64"	0.391	9.931
13/32"	0.406	10.312
27/64"	0.422	10.719
7/16"	0.438	11.125
29/64"	0.453	11.506
15/32"	0.469	11.913
31/64"	0.484	12.294
1/2"	0.500	12.700
33/64"	0.516	13.106
17/32"	0.531	13.487
35/64"	0.547	13.894
9/16"	0.563	14.300
37/64"	0.578	14.681
19/32"	0.594	15.088
39/64"	0.609	15.469
5/8"	0.625	15.875
41/64"	0.641	16.281
21/32"	0.656	16.662
43/64"	0.672	17.069
11/16"	0.687	17.450

PULGADAS		
FRACCIÓN	MILÉSIMAS	MILÍMETROS
45/64"	0.703	17.856
23/32"	0.719	18.263
47/64"	0.734	18.644
3/4"	0.750	19.050
49/64"	0.766	19.456
25/32"	0.781	19.837
51/64"	0.797	20.244
13/16"	0.813	20.650
53/64"	0.828	21.031
27/32"	0.844	21.438
55/64"	0.859	21.819
7/8"	0.875	22.225
57/64"	0.891	22.631
29/32"	0.906	23.012
59/64"	0.922	23.419
15/16"	0.938	23.825
61/64"	0.953	24.206
31/32"	0.969	24.613
63/64"	0.984	24.994
1"	1.000	25.400

LITROS A PULGADAS CÚBICAS

LITROS	PULGADAS CÚBICAS	LITROS	PULGADAS CÚBICAS	LITROS	PULGADAS CÚBICAS
1.0	61	3.3	201	5.6	342
1.1	67	3.4	209	5.7	347
1.2	73	3.5	213	5.8	351
1.3	79	3.6	220	5.8	353
1.4	85	3.7	225	5.9	359
1.5	91	3.8	231	6.0	366
1.6	97	3.9	238	6.1	370
1.5	91	4.0	244	6.2	379
1.7	104	4.1	250	6.4	390
1.8	109.8	4.2	256	6.5	396
1.9	116	4.3	262	6.6	402
2.0	122	4.4	267	6.7	408
2.1	128	4.5	274	6.8	414
2.2	134	4.6	280	6.9	420
2.3	140	4.7	286	7.0	427
2.4	146	4.8	292	7.1	433
2.5	152	4.9	298	7.2	439
2.6	158	5.0	302	7.3	445
2.7	164	5.0	305	7.4	454
2.8	171	5.1	311	7.5	457
2.9	177	5.2	318	7.6	463
3.0	183	5.3	323	7.7	469
3.1	189	5.4	330	7.8	475
3.2	195	5.5	335	7.9	482

Para convertir fracciones de pulgada a milímetros dividida la fracción, si hay enteros súmelo enseguida y el resultado multiplíquelo por 25.4 como en los siguientes ejemplos:

Sin enteros:
 $3/8" = 0.375$
 $0.375 \times 25.4 = 9.525\text{mm}$

Con enteros:
 $1 \ 3/4" = 1.75$
 $1.75 + 1 = 2.75$
 $2.75 \times 25.4 = 70.075\text{mm}$

Para convertir pulgadas cúbicas a litros, multiplique pulgadas cúbicas por 0.01639:

440pulg^3
 $440 / 0.01639 = 26.85$

Para convertir litros a pulgadas cúbicas, divida litros entre 0.01639:

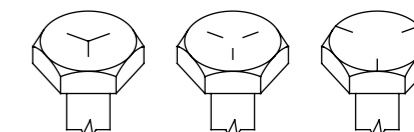
LITROS	PULGADAS CÚBICAS
8.0	488
8.1	494
8.2	500
8.3	506
8.4	512
8.5	518

ESPECIFICACIONES DE TORSIÓN (APRIETE) DE ACUERDO A LA DUREZA DEL TORNILLO SEGÚN GRADO S.A.E.

S.A.E. QUE POR SUS SIGLAS EN INGLÉS SIGNIFICA SOCIEDAD DE INGENIEROS AUTOMOTRICES

·Estos valores sólo se deben usar cuando no se tengan disponibles las especificaciones del fabricante.
 ·Estos valores aplican siempre y cuando las roscas de los tornillos estén limpias y secas.

Utilice el valor de la tabla multiplicado por el siguiente factor según condiciones:

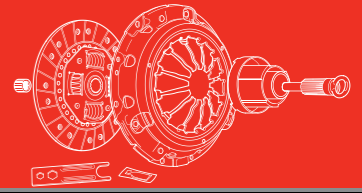
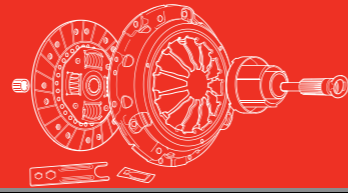


- Si el tornillo se lubrica con aceite de motor, multiplique por 0.9.
- Si se usa un tornillo galvanizado nuevo, multiplíquelo por 0.8.
- Si el tornillo se coloca en piezas de aluminio y motores bimetálicos y no llegará a usar insertos especiales en las roscas, multiplique por 0.7.

ESTAS MARCAS EN LA CABEZA DEL TORNILLO LO DISTINGUEN COMO S.A.E. Y PUEDEN VARIAR SEGÚN EL FABRICANTE. ESTOS SON 3 TÍPICOS EJEMPLOS DE COMO PODEMOS ENCONTRAR UN TORNILLO GRADO 5.

DUREZA DEL TORNILLO GRADO S.A.E.

Medida	Grado 1 ó 2	Grado 5	Grado 6	Grado 8	Especiales
1/4" - (6.4mm)	5 lbs/ft	7 lbs/ft	10 lbs/ft	10.5 lbs/ft	11 lbs/ft
5/16" - (7.9mm)	9 lbs/ft	14 lbs/ft	19 lbs/ft	22 lbs/ft	24 lbs/ft
3/8" - (9.5mm)	15 lbs/ft	25 lbs/ft	34 lbs/ft	37 lbs/ft	40 lbs/ft
7/16" - (11.1mm)	24 lbs/ft	40 lbs/ft	55 lbs/ft	60 lbs/ft	65 lbs/ft
1/2" - (12.7mm)	37 lbs/ft	60 lbs/ft	85 lbs/ft	92 lbs/ft	97 lbs/ft
9/16" - (14.3mm)	53 lbs/ft	88 lbs/ft	120 lbs/ft	132 lbs/ft	141 lbs/ft
5/8" - (15.9mm)	74 lbs/ft	120 lbs/ft	167 lbs/ft	180 lbs/ft	192 lbs/ft
3/4" - (19.1mm)	120 lbs/ft	220 lbs/ft	280 lbs/ft	286 lbs/ft	316 lbs/ft
7/8" - (22.2mm)	190 lbs/ft	302 lbs/ft	440 lbs/ft	473 lbs/ft	503 lbs/ft
1" - (25.4mm)	282 lbs/ft	466 lbs/ft	660 lbs/ft	714 lbs/ft	771 lbs/ft



222

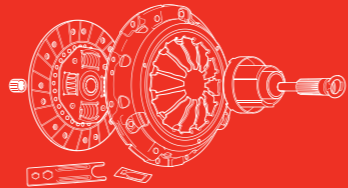
Notas

CARTEK[®]

223

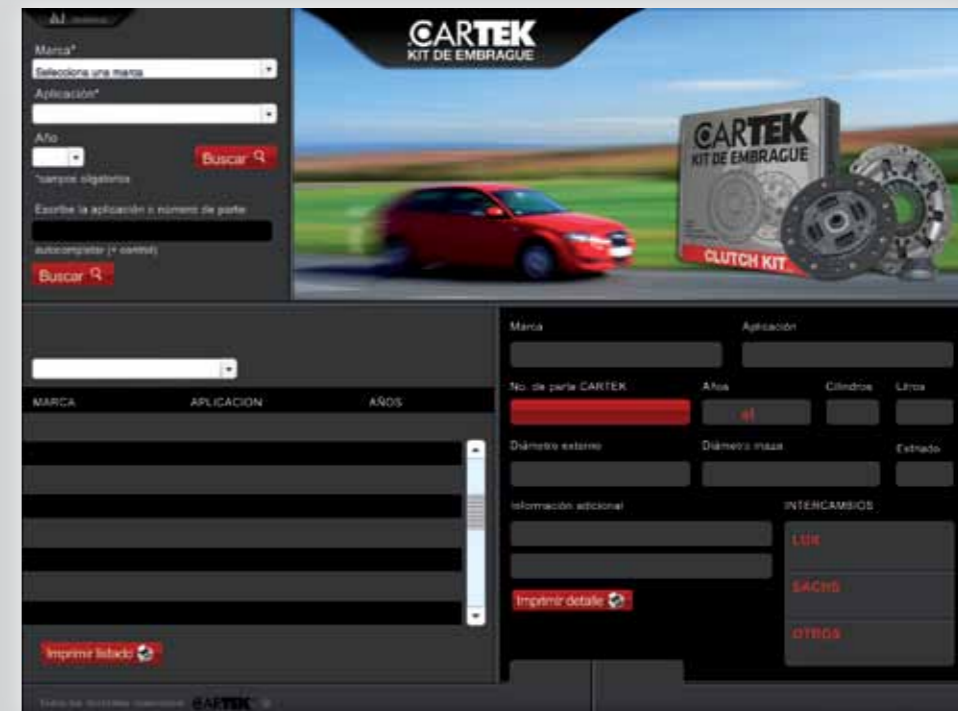
Notas

CARTEK[®]



EN NUESTRA PÁGINA ENCONTRARÁS

CATÁLOGO DE EMBRAGUES WEB



BOLETINES TÉCNICOS



CARTEK



CARTEK[®]

AUTOPARTES



 www.carttek.com.mx

CARTEK[®]
SERVICIO TECNICO



01800CARTEKS
018002278357